

MULAG

Innovative Technologies for Ground Support Equipment



Towing Tractor Comet 6

ANLIEFERUNG
ALLE
PAKETDIENSTE



The Comet 6 is the typical solution in the field of cargo handling at airports.

MULAG Towing Tractor Comet 6

- Powerful Performance
- Flexible in use
- Great agility

MULAG-Quality makes an impact

Fully developed technology and more than 30 years of experience with the manufacturing of airport vehicles combined with the latest technical know-how are complemented by the highest manufacturing quality, certified by DIN EN ISO 9001:2000. Thus we can guarantee high cost effectiveness with the use of our products:

- high availability and reliability
- low cost of maintenance

Easy and effective handling is our plus

Interesting equipment details like hydraulically suspended seats adjustable to the weight of the driver/co-driver and also adjustable in longitudinal direction and height show our claim for ergonomic vehicles as well as the clearly arranged operating controls in the driver's field of vision and the adjustable steering wheel.



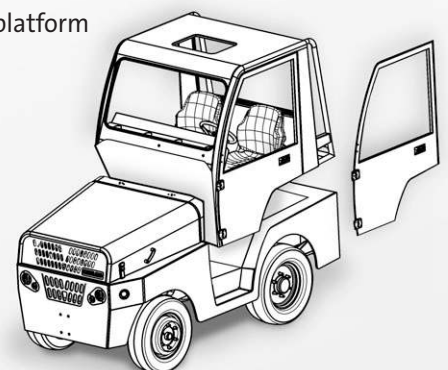
The design of our airport vehicles was based on an independent chassis especially developed for that purpose: Thus we achieve optimal load balance and outstanding dynamical characteristics, as well as quick and easy access to all important service points and components.

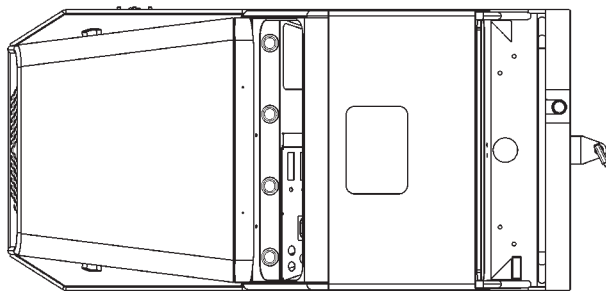
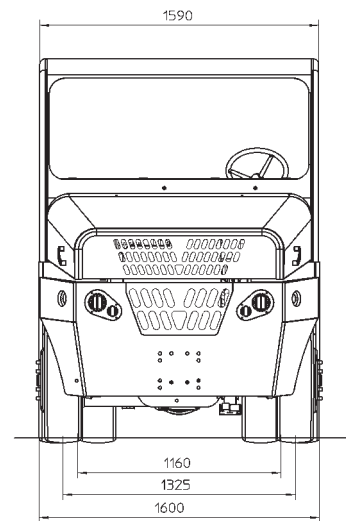
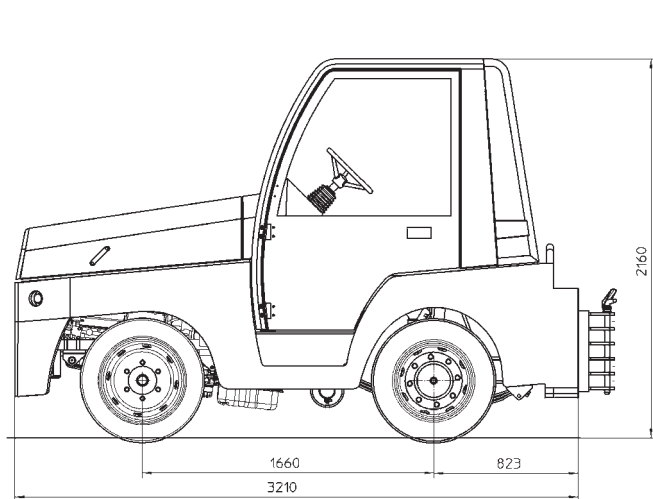
Your MULAG towing tractor options

Our towing tractors are available in several different basic versions – thus you can always choose your optimal vehicle configuration:

- Closed cab, separately mounted on vibration isolated elements which guarantee the minimization of vibration and noise inside the cab
- Open cab with windscreen and roof
- Open driver's platform without cab

Configure your MULAG tractor to your needs!





Comet 6

Technical Data and Dimensions

Engine and Powertrain

| | |
|---------------------|--|
| Engine | watercooled Deutz-Diesel 4 cylinders / BF 4 M 2012* 75 kW / 102 PS bei 2500 U/min |
| Transmission | Allison LCT 1000* |
| Steering | Hydrostatic steering system, hydraulically assisted |
| Brakes | Power-brake system disc brake with one caliper each side in front, drum break in rear, hydraulic spring loaded parking brake |
| Front axle | steering axle fixed in laminated springs |
| Rear axle | differential axle fixed in laminated springs |
| Electrical system | 24 V Batterie, 2 x 88 Ah* |
| Tank capacity | approx. 80 l Diesel |
| Fahrgeschwindigkeit | approx. 30 km/h |

Dimensions and Weights

| | |
|------------------------|-----------------------------|
| Dead weight | approx. 6.000 kg |
| Drawbar pull | approx. 40 kN (4.000 kg) |
| Length | 3.210 mm |
| Width | 1.600 mm |
| Height (top of cab) | 2.160 mm |
| Wheel base | 1.660 mm |
| Track width front/rear | approx. 1.160 mm / 1.325 mm |
| Ground clearance | approx. 150 mm |
| Turning circle | approx. 3.900 mm |
| Wheels/tires | 205/65 R 17,5 |

Serial Equipment

- Robust industrial engine
- Automatic transmission with electrical protection against improper handling
- Hydrostatic steering
- Dual circuit power-brake with vacuum booster
- Hydraulically ventilated parking brake acting on rear drum brake
- 5-fold trailer coupling at the rear (others upon request)
- 2 outside rear view mirrors
- hydraulically suspended drivers/co-drivers seat individually adjustable
- Safety belt
- Adjustable steering wheel
- Roof light*
- Wiper-washing system**
- Sun shield for driver*
- Fuel gauge
- Working hour meter
- Emergency switch-offs
- Indicator for the wearing out of brake lining

* with closed cab

** with closed and open cab



* other technical equipment on demand

We provide many interesting equipment details – and quite often as serial equipment.

Comet 6

Comet 6 – strong Performance for Ground Support at Airports

With the powerful design of the Comet 6 its application as towing tractor gets extremely economical and efficient: All Ground Support tasks on airports are accomplished powerful and fast!

The high quality of workmanship reduces long down times and service cycles to a minimum – efficiency and economy at duty on airports!



At MULAG service comes first

Even the best vehicle design is of no avail without a strong and efficient after-sales service during the whole lifetime of the vehicle. This is where MULAG comes into play, with the reliable and quick supply of information and spare parts for our customers – you can count on us!

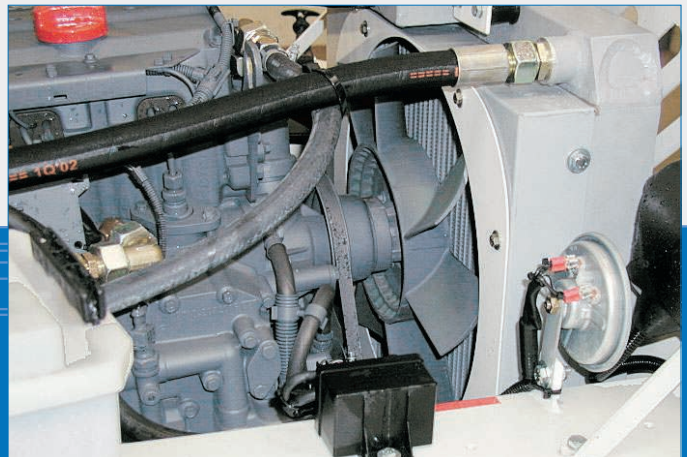
High-Tech is our crucial advantage!

The use of high-grade industrial components instead of standard components is crucial for the reduction of down times and need for service of our vehicles to a minimum! Overdimensioned power and loading capacities result in high reliability and safety – well known to our customers worldwide as MULAG Quality.

Our achievements in Ground Support are convincing!



The power-machine in the field of cargo handling – Comet 6



Powerful Diesel-engine with external oil-/water-cooler



Available with many cab-options for all purposes

MULAG

MULAG Fahrzeugwerk
Heinz Wössner GmbH u. Co. KG

Gewerbestraße 8
77728 Oppenau
Germany

Phone +49-(0)7804-913-0
Fax +49-(0)7804-913-159

E-Mail info@mulag.de
Web www.mulag.de

