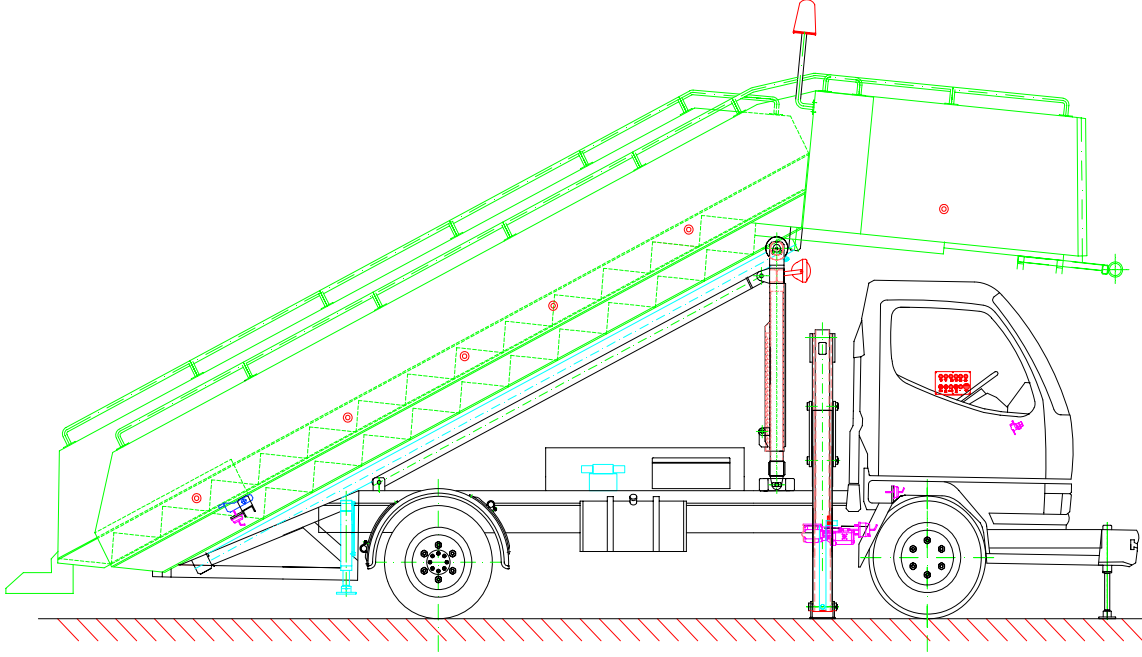


**PASSENGER STAIR
OVER ISUZU
ISSUE 2008**



LABEL DATA

TYPE	DATE	SERIAL NUMBER
TPS-58	05.2008	378A050814-17

DENGE MAKİNA SAN.TİC.LTD.ŞTİ
ISTANBUL-TURKEY

+90(212) 549 88 66 / +90 (212) 549 75 30

www.denge.aero



2. Technical Data

a) Technical specifications of vehicle

The system is constructed over the commercial truck, Isuzu NPR66P

ISUZU NPR66P SPECIFICATIONS	
ENGINE	
Type	4 cycle, Direct injection, water-cooled, in-line OHV Diesel Engine with automatic engine stop device
No . of cylinders	4
Bore x Stroke	112x110
Displacement	4,334
Max. Output (ISO Gross) kW (PS)/rpm	88(120)/3,200
Max. Torque (ISO Gross) Nm (kg-m)/rpm	285(29)/1,800
Compression Ratio	19.0:1
Fuel Tank Capacity	100 Liters
WEIGHTS	
GVM (kg)	6000
Chassis Cab Mass (kg)	2,195
Front (kg)	1,495
Rear (kg)	700
Payload (kg)	3,805
DIMENSIONS (mm)	
OAL (Overall Length)	9270
WB (Wheelbase)	5,55
FOH (Front Overhang)	1,27
ROH (Rear Overhang)	2,45
CE (Cab-End to Chassis -End)	7,17
CA (Cab-End to Rear Axle)	4,72
OW (Overall Width)	2,4
AW (Front Tread)	1,99
BW (Maximum Tread)	2,465
CW (Rear Tread)	1,855
OH (Overall Height)	2,7
HH (Front Clearance)	240
EH (Chassis Height)	1,095
BRAKE	
Service Brake	Drum type, Hydraulic dual circuit w/ vacuum assisted, front two leading, rear dual two leading
Parking Brake	Mechanical, internal expanding at rear of transmission
SUSPENSION	
Front & Rear	Semi-elliptical alloy steel leaf springs with hydraulic double acting telescopic shock absorber at front and rear
ELECTRICAL SYSTEM	
Battery / Generator	12V x 2 / 24V - 50A
Starter	Reduction type, 24V - 4.0 kW



b) System specifications

SYSTEM SPECIFICATIONS OF TPS-58	
Platform Width (internal)	2200 mm
Platform Length (internal)	2140mm plus 300mm movable part
Banister Height	1000 mm
Minimum Platform Service Height	2400 mm
Maximum Platform Service Height	5800 mm
Platform Capacity	1425 kg / 17 persons
Platform Angle	+3°, -3 °
Overall Length	7500 mm
Overall Width	2400 mm
Overall Height	3565 mm
Step Width (Fixed Section)	1350 mm
Step Width (Extendable Section)	1500 mm
Step Depth	280 mm
Step Height	185 mm
Stair Working Angle	30° at min. Height, 38° at max. height
Banister Height	950 mm
Load Capacity Per Step	168 kg / 2 persons
Min. Ground Clearance	200 mm
Tyre pressure	7,5 kg/cm ²
Max. Speed	25 km/h
Step Section	Hot-Dip Galvanized
Max. Ground pressure of base plate of stabilizers	39 kg/cm ²