

Vacuum Lavatory Unit

VSTM 2000 V



LAVATORY SERVICE ON AVIOGEI SELF – PROPELLED CUSTOM MADE CHASSIS EQUIPPED WITH FRONT LIFTING PLATFORM. HYDRAULICALLY OPERATED. OPERATIVE VACUUM SYSTEM TO OPERATE WITH COMMUTER, N/B, W/B AIRCRAFT

FOUL WATER TANK CAPACITY: ℓ 2000
CLEAR WATER TANK CAPACITY: ℓ 1000

MAIN TECHNICAL CHARACTERISTICS

The self-propelled lavatory service vehicle AVIOGEI VSTM 2000 V is designed to serve the lavatory system of all types of current aircraft, N/B and W/B series included (A330, A340 & B777 as well), by means of a front lifting platform, hydraulically operated. The suction of waste water is achieved by means of a vacuum system or, alternatively, by gravity.

*For technical and operational features
ask for Specification n° 1343V.*



AVIOGEI

Airport Equipment Srl

VIA CAMPOLEONE TENUTA N° 13
- 04010 CAMPOLEONE, APRILIA (LT) ITALIA
TEL +39 06 92 78 251 r.a. FAX +39 06 927 84 54
[e-mail:aviogei@aviogei.it](mailto:aviogei@aviogei.it) <http://www.aviogei.it>



MAIN TECHNICAL DATA

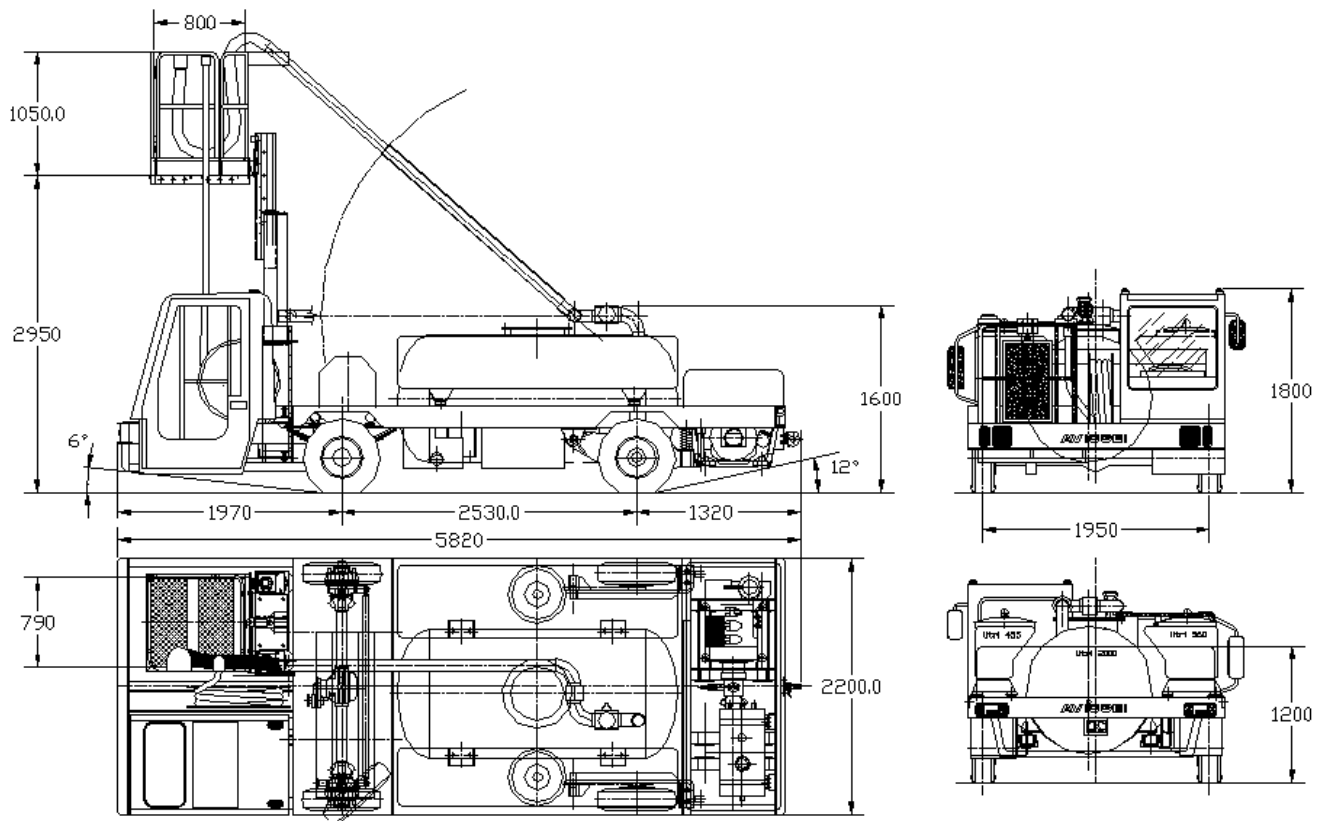
Vacuum lavatory unit

VSTM 2000 V

Maximum speed	Km/h	30	Diesel engine	Deutz	D2011 L04i
Foul Water tank Capacity	l	2000	Transmission	Closed circuit hydrostatic	hydraulic motor direct-coupled to the front axle
Two Clear Water Tank Capacity (total)	l	1000	Wheels	Flap and tyre	Size 7.00-12
Vacuum system (max. vacuum)	mbar-abs	-200	Hydraulic steering	Front	Orbital type
Maximum operative height of platform	mm	2.950	Batteries	one	12 V – 100 A/h
Fuel tank capacity	l	80	Electric System	Sealed installation	12 volts
Oil tank Capacity	l	80	Encumbrance	Lights	Red
Foul Water hose (Diameter)	Ø	4"	Service brake	Brake acting on the front and rear wheels	Servo brake
Clear water Diameter hose	Ø	1"	Parking brake	Acting on rear wheels	Mechanical
Water pump - flow	Lt/1'	90	Manual pump	For emergency	Lifting platform, steering, engine failure

In conformity with IATA regulations AHM 904 - AHM 910 – AHM 913 – AHM 915 –AHM 971	In compliance with 2006/42/ CE regulation ISO 9001 – Vision 2008
--	--

OPTIONALS	SHIPPING DATA		
Emergency Electro pump.	Length	mm	5.820
Fire extinguisher.	Height	mm	1.800
Supplementary rotating light.	Width	mm	2.200
Other Thermal Engine	Weight	kg	3.800
Thermal insulation of the tanks			
Webasto in drive cab			
Diagnostic system			



AVIOGEI

Short Tech. Spec. 1343 V

Aviogei reserves the right to change details as a result of product improvement